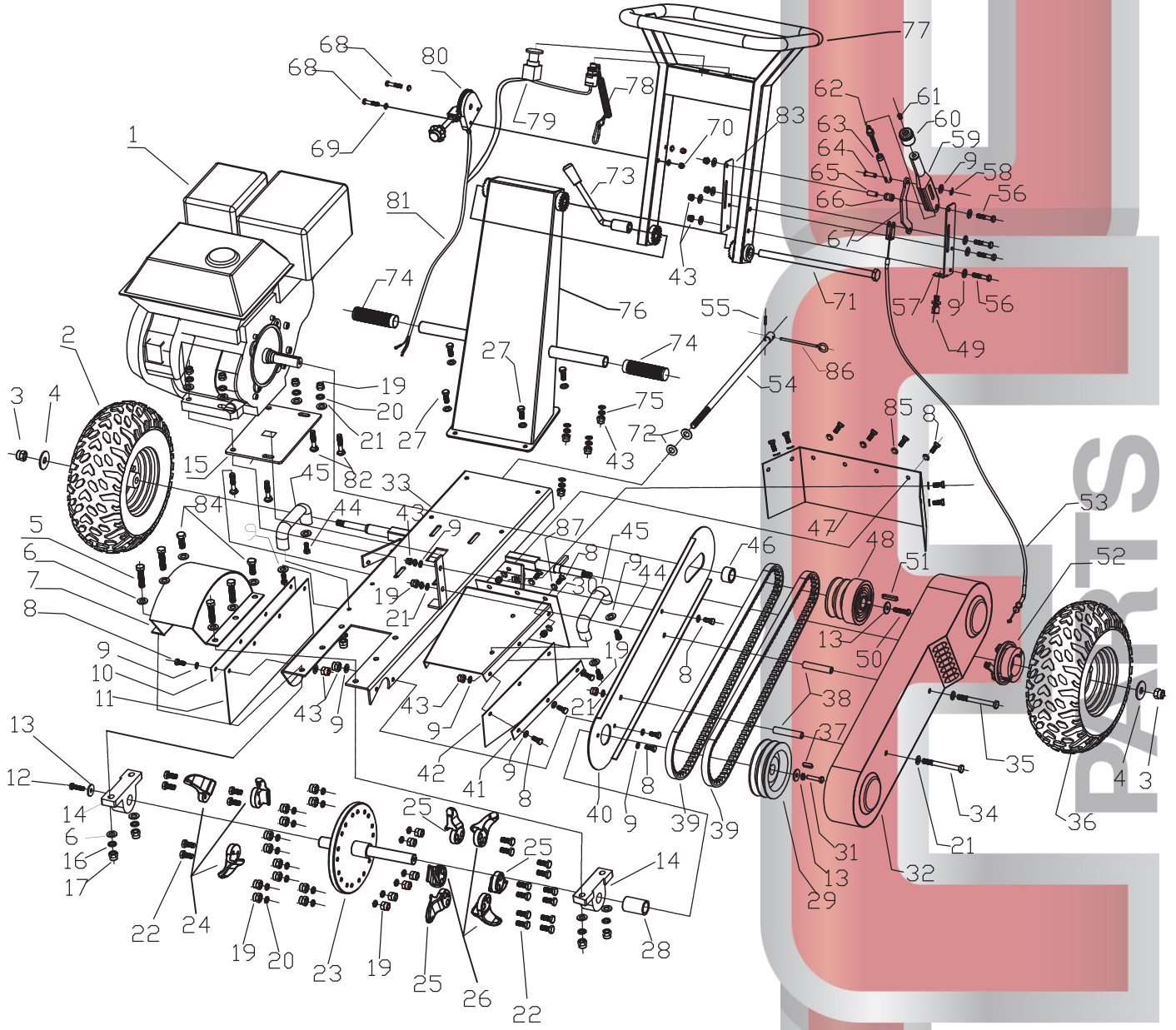


# 01-13-0150 DESTOCOCONADOR

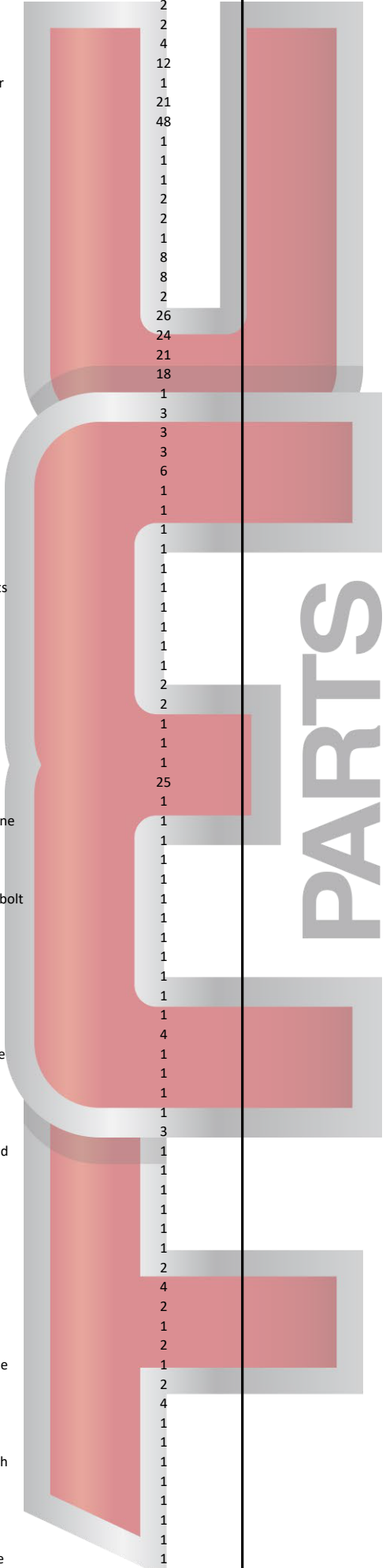


**SOLICITAR AQUI**

# 01-13-0150 DESTOCOCONADOR

## DESTOCOCONADOR - STUMP GRINDER / CUERPO - BODY

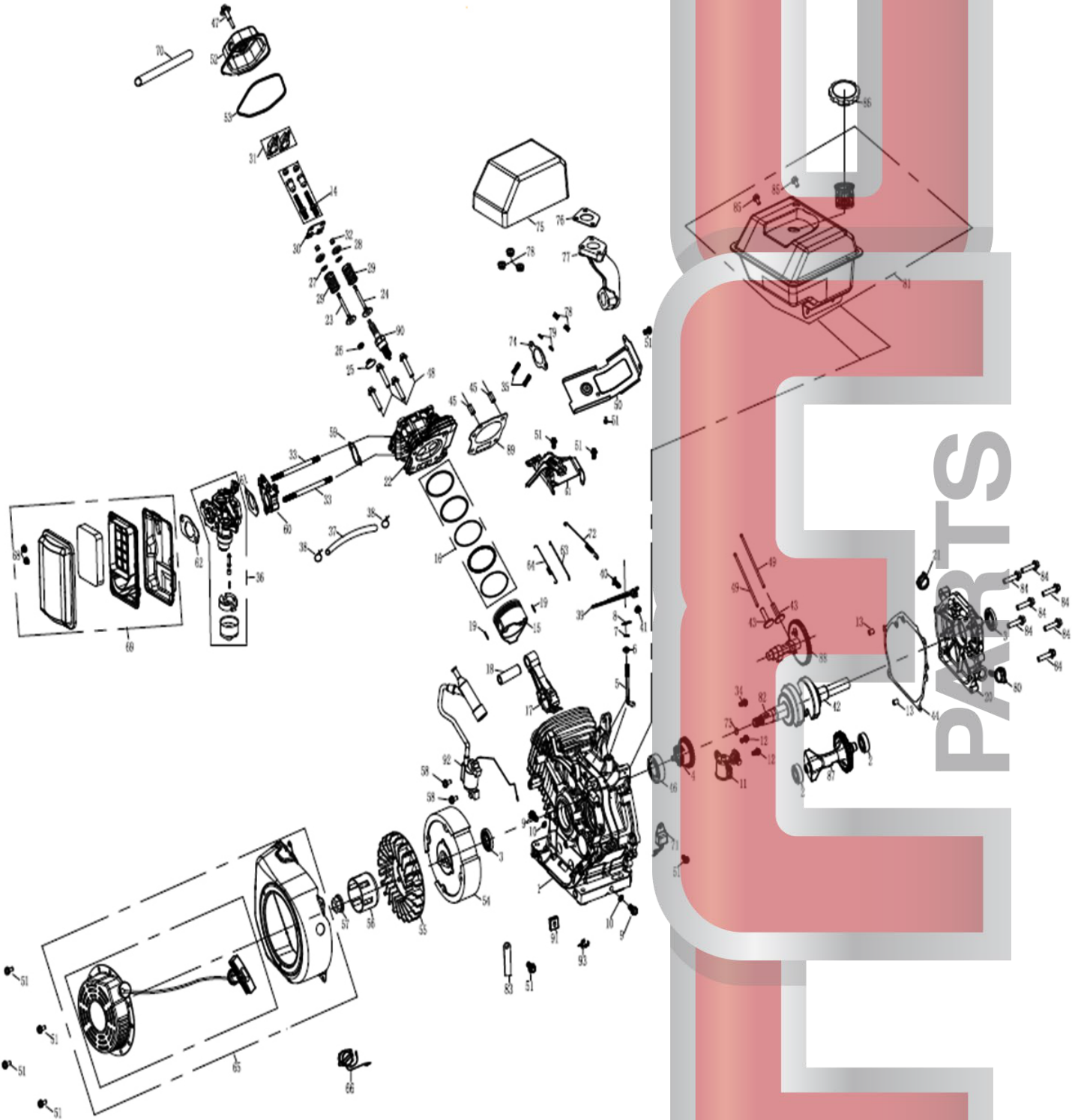
TMC PARTS	01-13-0150	DESCRIPCION	Description	CANTIDAD REQUERIDA
No.	Part No.			
A1	0150-1-1	Motor	Engine	1
A2	0150-1-2	Rueda Derecha	Right Wheel	1
A3	0150-1-3	Bulon de traba	Lock Bolt	2
A4	0150-1-4	Arandela plana	Flat Washer	2
A5	0150-1-5	Bulon	Bolt	4
A6	0150-1-6	Arandela plana	Flat Washer	12
A7	0150-1-7	Tapa protectora de cuchilla	Cutter Protection Cover	1
A8	0150-1-8	Bulon	Bolt	21
A9	0150-1-9	Arandela plana	Flat Washer	48
A10	0150-1-10	Placa de presion	Long pressure Block	1
A11	0150-1-11	Placa	Long partition	1
A12	0150-1-12	Bulon hexagonal	Hex bolt	1
A13	0150-1-13	Arandela	Big Washer	2
A14	0150-1-14	Rodamiento	Vertical Bearing	2
A15	0150-1-15	Placa Base Motor	Engine Base plate	1
A16	0150-1-16	Arandela	Spring Washer	8
A17	0150-1-17	Tuerca	Lock nuts	8
A18	0150-1-18	Perno	Cotter Pin	2
A19	0150-1-19	Tuerca	Lock nuts	26
A20	0150-1-20	Arandela	Spring Washer	24
A21	0150-1-21	Arandela plana	Flat Washer	21
A22	0150-1-22	Bulon	Hex Bolt	18
A23	0150-1-23	Rueda de cuchilla	Cutter	1
A24	0150-1-24	Cuchilla derecha	Right Blade (Teeth)	3
A25	0150-1-25	Cuchilla central	Straight Blade (Teeth)	3
A26	0150-1-26	Cuchilla izquierda	Left Blade (Teeth)	3
A27	0150-1-27	Bulon	Hex Bolt	6
A28	0150-1-28	Espaciador lateral	Side Spacer	1
A29	0150-1-29	Polea grande	Big Pulley	1
A30	0150-1-30	Placa	Small partition	1
A31	0150-1-31	Bulon	Bolt	1
A32	0150-1-32	Tapa de correa	Belt Cover	1
A33	0150-1-33	Soporte base	Base Frame Components	1
A34	0150-1-34	Bulon	Hex bolt	1
A35	0150-1-35	Bulon	Hex bolt	1
A36	0150-1-36	Rueda izquierda	Left Wheel	1
A37	0150-1-37	Chaveta	Flat Key	1
A38	0150-1-38	Perno	Sleever	2
A39	0150-1-39	Correa	Belt	2
A40	0150-1-40	Tapa de correa lateral	Belt Cover Side Plate	1
A41	0150-1-41	Placa de presion	Short pressure block	1
A42	0150-1-42	Placa inclinada	Inclined partition	1
A43	0150-1-43	Tuerca	Lock nuts	25
A44	0150-1-44	Placa de ajuste	Bulkhead fixing piece	1
A45	0150-1-45	Cable Interruptor de emergencia	Emergency stop switch line	1
A46	0150-1-46	Espaciador	spacer	1
A47	0150-1-47	Soporte trasero	Bulkhead	1
A48	0150-1-48	Polea de embrague	Clutch pulley	1
A49	0150-1-49	Cable de freno	Handbrake wire adjusting bolt	1
A50	0150-1-50	Bulon	engine bolt	1
A51	0150-1-51	Chaveta de motor	Flat key (engine)	1
A52	0150-1-52	Freno	Brake	1
A53	0150-1-53	Cable de freno	Brake cable	1
A54	0150-1-54	Tornillo	Adjusting screw	1
A55	0150-1-55	Perno	Cylindrical elastic pin	1
A56	0150-1-56	Bulon	Bolt	4
A57	0150-1-57	Placa de montaje externo	External mounting plate	1
A58	0150-1-58	Arandela	Shaft retaining ring	1
A59	0150-1-59	Leva de freno	handbrake lever	1
A60	0150-1-60	Tapa	Cover	1
A61	0150-1-61	Bulon	Bolt	3
A62	0150-1-62	Esparrago de ajuste	Threaded connecting rod	1
A63	0150-1-63	conducto conector	connecting pipe	1
A64	0150-1-64	Perno	Shaft pin	1
A65	0150-1-65	Conector	Lined pipe	1
A66	0150-1-66	Deflector	Baffle	1
A67	0150-1-67	Placa de conexión	Connection board	1
A68	0150-1-68	Bulon	Hex bolt	2
A69	0150-1-69	Arandela	Flat Washer	4
A70	0150-1-70	Tuerca	Lock nuts	2
A71	0150-1-71	Bulon	Hex bolt	1
A72	0150-1-72	Arandela	Flat Washer	2
A73	0150-1-73	Mango	Angle adjustment handle	1
A74	0150-1-74	Tapa de mango	Handle cover	2
A75	0150-1-75	Arandela	Spring Washer	4
A76	0150-1-76	Soporte de brazo de empuje	Armrest base	1
A77	0150-1-77	Brazo de empuje	Armrest	1
A78	0150-1-78	Cuerza de interruptor de seg.	Safety rope safety switch	1
A79	0150-1-79	Parada de emergencia	Emergency stop	1
A80	0150-1-80	Gatillo de acelerador	Throttle switch	1
A81	0150-1-81	Cable de acelerador	Throttle cable	1
A82	0150-1-82	Bulon	Bolt	1
A83	0150-1-83	Placa de montaje interno	internal mounting plate	1
A84	0150-1-84	Bulon	Bolt	2
A85	0150-1-85	Arandela plana	Flat Washer	11
A86	0150-1-86	Balancín	Rocker	1
A87	0150-1-87	Perno tipo D	D type Pin	1
A88	0150-1-88	Asiento de soporte	Support Leg Seat	1
A89	0150-1-89	Pie de soporte	Support Leg	1
A90	0150-1-90	Taco de goma	Rubber mat	1
A91	0150-1-91	Barra de remolque	Towbar	1
A92	0150-1-92	Perilla	knob	1
A93	0150-1-93	Conector a remolque	Trailer connector	1



**SOLICITAR AQUI**

# 01-13-0150 DESTOCOCONADOR

PAGINA 2



[SOLICITAR AQUI](#)

# 01-13-0150 DESTOCOCONADOR

DESTOCOCONADOR - STUMP GRINDER / MOTOR				
TMC PARTS	01-13-0150	DESCRIPCION	Description	CANTIDAD REQUERIDA
No.	Part No.			
B1	0150-2-1	Carter	Crankshaft	1
B2	0150-2-2	Rodamiento	Ball bearing	2
B3	0150-2-3	Reten de aceite	Oil Seal	2
B4	0150-2-4	Arbol de levas	Governor Assembly	1
B5	0150-2-5	Eje	Shaft, Governor Arm	1
B6	0150-2-6	Soporte	Rocker oil seal	1
B7	0150-2-7	Arandela	washer, governor arm shaft	1
B8	0150-2-8	Perno	pin, lock	1
B9	0150-2-9	Bulon	Bolt, drain plug	2
B10	0150-2-10	Arandela	Washer, Drain Plug	2
B11	0150-2-11	Sensor de aceite	Switch Assembly, Oil Level	1
B12	0150-2-12	Bulon	Bolt	2
B13	0150-2-13	Perno	Dowel pin,casecover	2
B14	0150-2-14	Bulon	Rocker arm fasten bolt assembly	2
B15	0150-2-15	Piston	Piston	1
B16	0150-2-16	Aros juego	Piston ring set	1
B17	0150-2-17	Biela	Rod Assembly,Connecting	1
B18	0150-2-18	Perno	Pin, Piston	1
B19	0150-2-19	Seguro	Clip, Piston	2
B20	0150-2-20	Tapa	Cover assembly, Crankcase	1
B21	0150-2-21	Conector	Oip Plug	1
B22	0150-2-22	Tapa de cilindro	Cylinder Head	1
B23	0150-2-23	Valvula de entrada	Valve, In	1
B24	0150-2-24	Valvula de salida	Valve, Exhaust	1
B25	0150-2-25	Retorno	Returner, Intake Valve	1
B26	0150-2-26	Reten de aceite	Valve oil seal	1
B27	0150-2-27	Seguro	Valve lock clip	4
B28	0150-2-28	Asiento de valvulas	Seat, valve spring, ex	2
B29	0150-2-29	Resorte de valvula	Valve Springs	2
B30	0150-2-30	Placa	plate, push rod guide	1
B31	0150-2-31	Seguro de valvula	Rocker Assy	2
B32	0150-2-32	Rotor	Rotator	2
B33	0150-2-33	Bulon	Bolt, Stud	2
B34	0150-2-34	Bulon	Bolt	1
B35	0150-2-35	Bulon	Bolt, Stud	2
B36	0150-2-36	Carburador	Carburetor components	1
B37	0150-2-37	Manguera de combustible	Fuel line	1
B38	0150-2-38	Seguro	Clip, fuel line	2
B39	0150-2-39	Brazo	Governor arm	1
B40	0150-2-40	Bulon	Bolt, governor arm	1
B41	0150-2-41	Tuerca	Nut	1
B42	0150-2-42	Cigüñal	Crankshaft Assembly	1
B43	0150-2-43	Leva	Lifter, Valve	2
B44	0150-2-44	Junta tapa de cilindro	Packing, casecover	1
B45	0150-2-45	Perno	Pin, Dowel	2
B46	0150-2-46	Rodamiento	Ball bearing	1
B47	0150-2-47	Seguro	Lock bolt	1
B48	0150-2-48	Bulon	Bolt M10x80	4
B49	0150-2-49	Varilla de empuje	Rod, Push	2
B50	0150-2-50	Tapa	Shroud	1
B51	0150-2-51	Bulon	Bolt M6x12	10
B52	0150-2-52	Tapa de cilindro completa	Cover comp, cyliner head	1
B53	0150-2-53	Empaquetadura	Packing, head cover	1
B54	0150-2-54	Embrague	Flywheel Assembly	1
B55	0150-2-55	Volante	Fan, Recoil Starter	1
B56	0150-2-56	Polea	Pulley, Starter	1
B57	0150-2-57	Tuerca	Nut M14	1
B58	0150-2-58	Bulon	Bolt M6x25	2
B59	0150-2-59	Junta carburador	Packing, intake	1
B60	0150-2-60	Garganda de admision	Insulator, carburetor	1
B61	0150-2-61	Junta carburador	Packing, carburetor	1
B62	0150-2-62	Junta carburador	Spacer, carburetor	1
B63	0150-2-63	Varilla	Rod, Governor	1
B64	0150-2-64	Resorte de valvula	Spring, Throttle Return	1
B65	0150-2-65	Tapa de arranque completa	Recoil Starter Assembly	1
B66	0150-2-66	Interruptor	Switch Assembly	1
B67	0150-2-67	Carcaza superior	Shroud assy, upper	1
B68	0150-2-68	Tuerca	Nut M8	2
B69	0150-2-69	Filtro de aire completo	Air Cleaner Assembly	1
B70	0150-2-70	Respirador	Tube, Breather	1
B71	0150-2-71	Junta	Amplifier	1
B72	0150-2-72	Resorte de valvula	Spring, Governor	1
B73	0150-2-73	Arandela	Washer, crankshaft	1
B74	0150-2-74	Junta Silenciador	packing, Exhaust	1
B75	0150-2-75	Silenciador	Muffler COMP	1
B76	0150-2-76	Junta	Muffler pipe gasket	1
B77	0150-2-77	Conducto de salida	Muffler pipe	1
B78	0150-2-78	Tuerca	Nut M8	5
B79	0150-2-79	Arandela	Spring Washer Φ8	2
B80	0150-2-80	Medidor	Dipstick	1
B81	0150-2-81	Tanque de combustible completo	Fuel tank Assembly	1
B82	0150-2-82	Chaveta	Flat Key	1
B83	0150-2-83	Seguro	Clip, wire harness	1
B84	0150-2-84	Bulon	Bolt M8x35	7
B85	0150-2-85	Bulon	Bolt M8x25	2
B86	0150-2-86	Tapa	Fuel tahnk cap component	1
B87	0150-2-87	Eje	Balancing shaft	1
B88	0150-2-88	Arbol de levas completo	Camshaft Assembly	1
B89	0150-2-89	Junta tapa de cilindro	Gasket, cylinder head	1
B90	0150-2-90	Bujia	Spark Plug	1
B91	0150-2-91	Mango de sogá	Rubber starter assy	1
B92	0150-2-92	Bobina de encendido	Ignition components	1
B93	0150-2-93	Seguro	Clip	1

PARTS



**SOLICITAR AQUI**