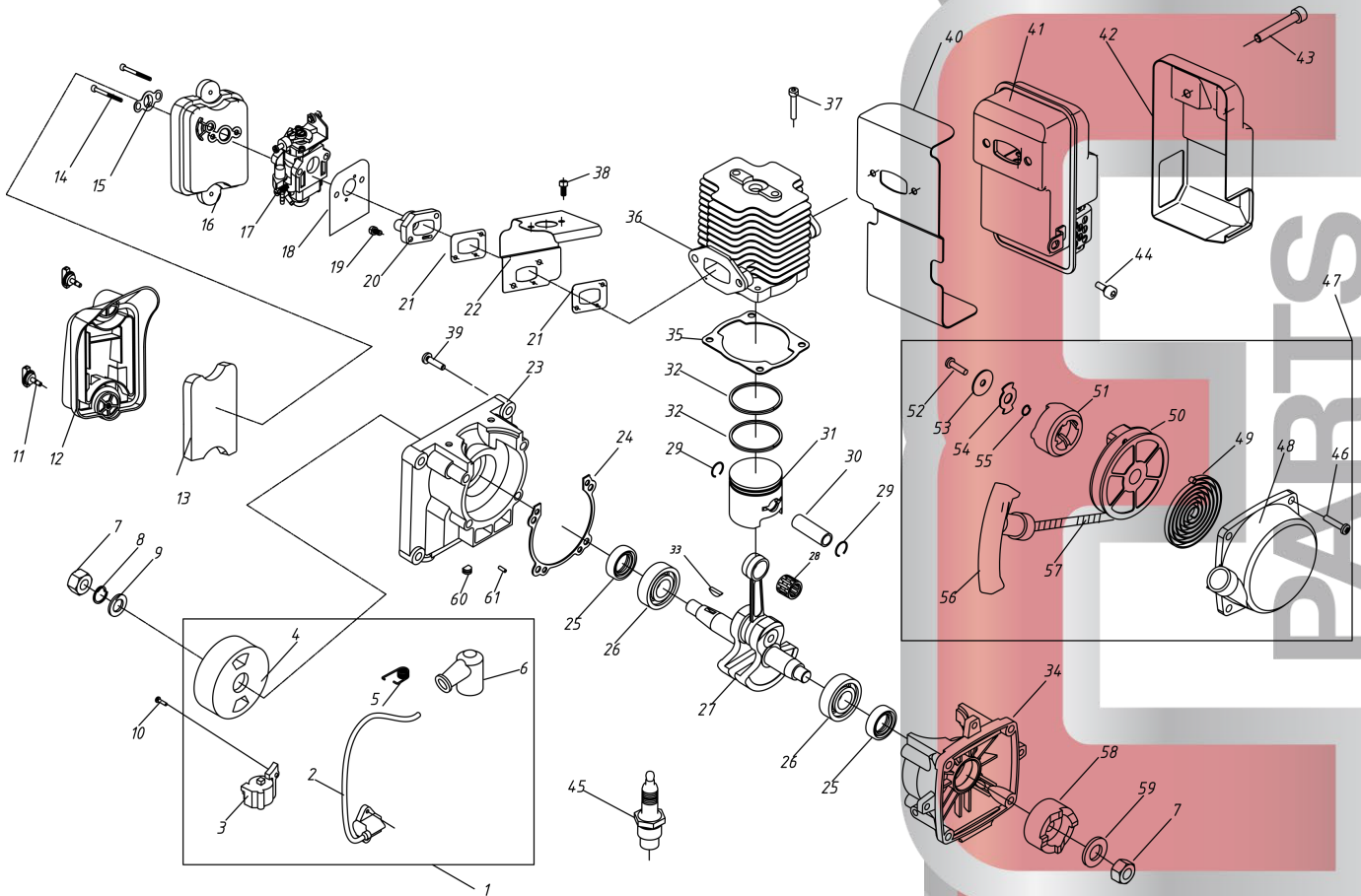


# 01-08-0752 FUMIGADOR



**SOLICITAR AQUI**

# 01-08-0752 FUMIGADOR

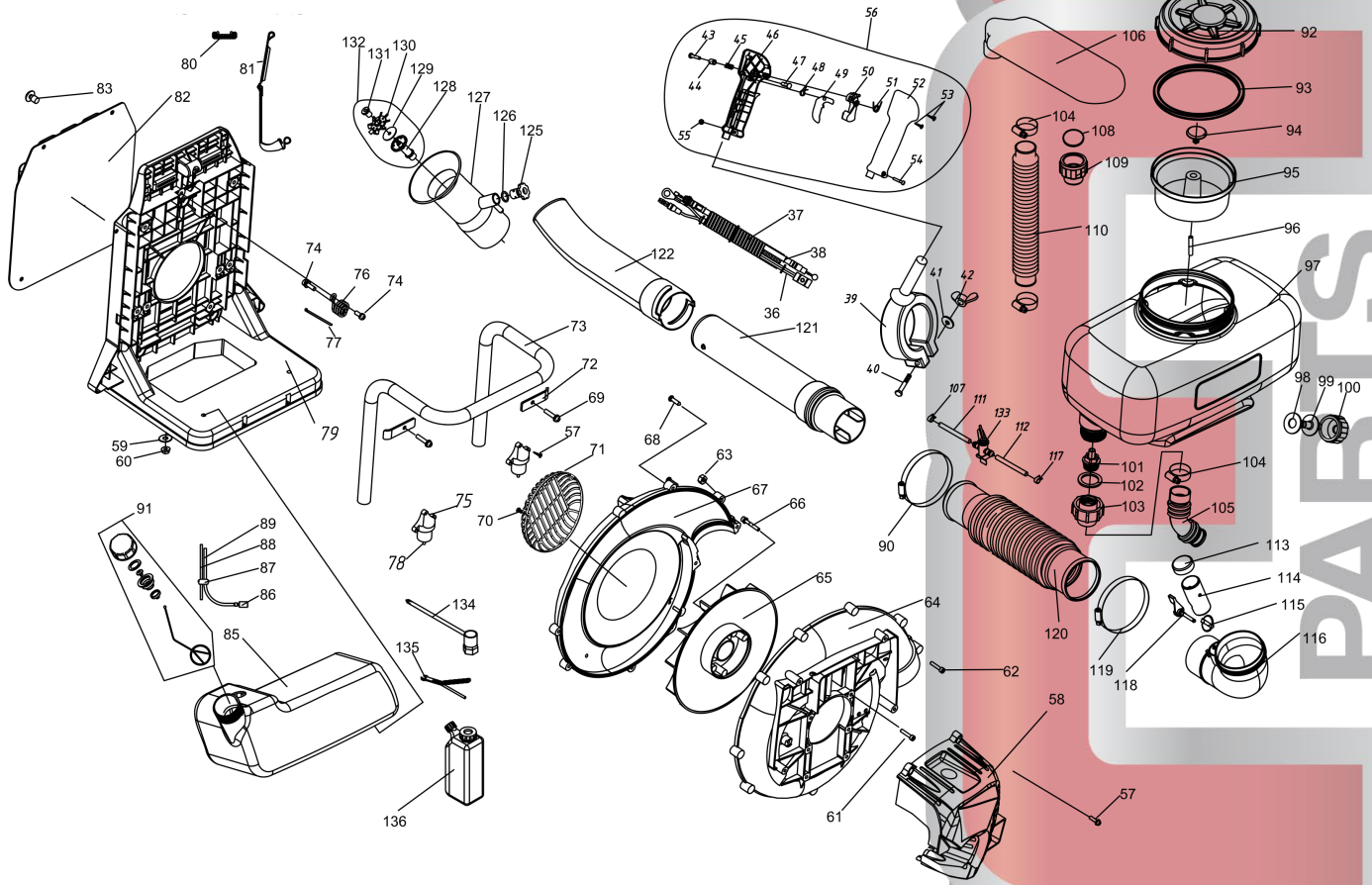
PAGINA 1

FUMIGADOR - MOTOR - ENGINE A				
TMC PARTS	01-08-0752	DESCRIPCION	Description	CANTIDAD REQUERIDA
No.	Part No.			
A1	0752-1-1	ENCENDIDO COMPLETO	MAGNETO	1
A2	0752-1-2	CABLE DE ENCENDIDO	WINDING	1
A3	0752-1-3	BOBINA DE ENCENDIDO	IGNITION COIL	1
A4	0752-1-4	VOLANTE MAGNETICO	MAGNETO ROTOR	1
A5	0752-1-5	RESORTE	SPRING	1
A6	0752-1-6	CAPUCHON	CAP	1
A7	0752-1-7	TUERCA	NUT M 10*1	2
A8	0752-1-8	ARANDELA	WASHER	1
A9	0752-1-9	ARANDELA	WASHER	1
A10	0752-1-10	TORNILLO	SCREW M4*20	2
A11	0752-1-11	PERILLA	KNOB BOLT	2
A12	0752-1-12	TAPA EXTERIOR DE FILTRO	OUTSIDE COVER	1
A13	0752-1-13	FILTRO DE AIRE ELEMENTO	FILTER NET	1
A14	0752-1-14	TORNILLO	SCREW M5*55	2
A15	0752-1-15	SOPORTE	BAFFLE	1
A16	0752-1-16	TAPA INTERIOR DE FILTRO	INSIDE COVER	1
A17	0752-1-17	CARBURADOR	CARBURETOR	1
A18	0752-1-18	JUNTA	GASKET	1
A19	0752-1-19	TORNILLO	SCREW M5*25	2
A20	0752-1-20	GARGANTA DE ADMISION	INSULATOR	1
A21	0752-1-21	JUNTA	GASKET	2
A22	0752-1-22	DEFLECTOR DE AIRE	AIR DEFLECTOR	1
A23	0752-1-23	CARTER FRONTAL	FRONT CRANK CASE	1
A24	0752-1-24	JUNTA	SEALING WASHER	1
A25	0752-1-25	RETEN	SEAL	2
A26	0752-1-26	RODAMIENTO	BEARING	2
A27	0752-1-27	CIGÜEÑAL	CRANK SHAFT	1
A28	0752-1-28	RODAMIENTO	BEARING	1
A29	0752-1-29	SEGURO PERNO PISTON	RING	2
A30	0752-1-30	PERNO PISTON	PISTON PIN	1
A31	0752-1-31	PISTON	PISTON	1
A32	0752-1-32	ARO DE PISTON	PISTON RING	2
A33	0752-1-33	CHAVETA	KEY	1
A34	0752-1-34	CARTER TRASERO	BACK CRANK CASE	1
A35	0752-1-35	JUNTA	SEALING WASHER	1
A36	0752-1-36	CILINDRO	CYLINDER	1
A37	0752-1-37	TORNILLO	SCREW	4
A38	0752-1-38	TORNILLO	SCREW	1
A39	0752-1-39	TORNILLO	SCREW	4
A40	0752-1-40	JUNTA	GASKET	1
A41	0752-1-41	SILENCIADOR	MUFFLER	1
A42	0752-1-42	CARCAZA	SHIELD	1
A43	0752-1-43	TORNILLO	SCREW M6*70	2
A44	0752-1-44	TORNILLO	SCREW M5*12	1
A45	0752-1-45	BUJIA	SPARK PLUG	1
A46	0752-1-46	TORNILLO	SCREW M5*16	4
A47	0752-1-47	TAPA DE ARRANQUE COMP.	STARTER	1
A48	0752-1-48	CARCAZA	CASE	1
A49	0752-1-49	RESORTE DE ARRANQUE	SPRING	1
A50	0752-1-50	POLEA DE ARRANQUE	PULLEY	1
A51	0752-1-51	POLEA CHICA AF	PULLEY	1
A52	0752-1-52	TORNILLO	SCREW	1
A53	0752-1-53	ARANDELA	WASHER	1
A54	0752-1-54	PLACA	GUIDE SLICE	1
A55	0752-1-55	ARANDELA	WASHER	1
A56	0752-1-56	MANGO DE ARRANQUE	HANDLE	1
A57	0752-1-57	SOGA DE ARRANQUE	ROPE	1
A58	0752-1-58	POLEA CHICA AF	RATCHET	1
A59	0752-1-59	ARANDELA	WASHER	1
A60	0752-1-60	AJUSTE	FIXITY	1
A61	0752-1-61	PERNO	PIN 4H8*10	2

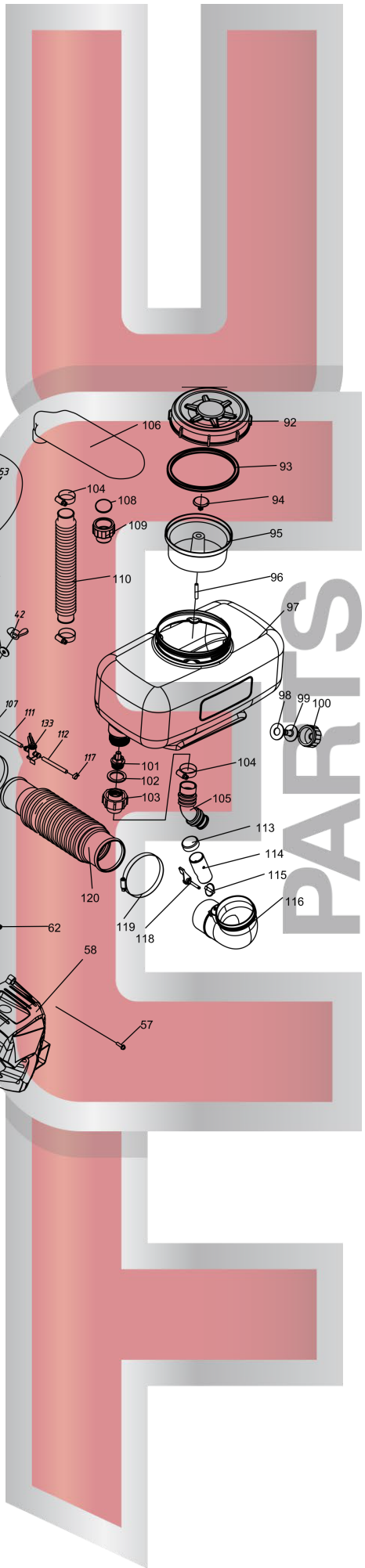


**SOLICITAR AQUI**

# 01-08-0752 FUMIGADOR



**SOLICITAR AQUI**

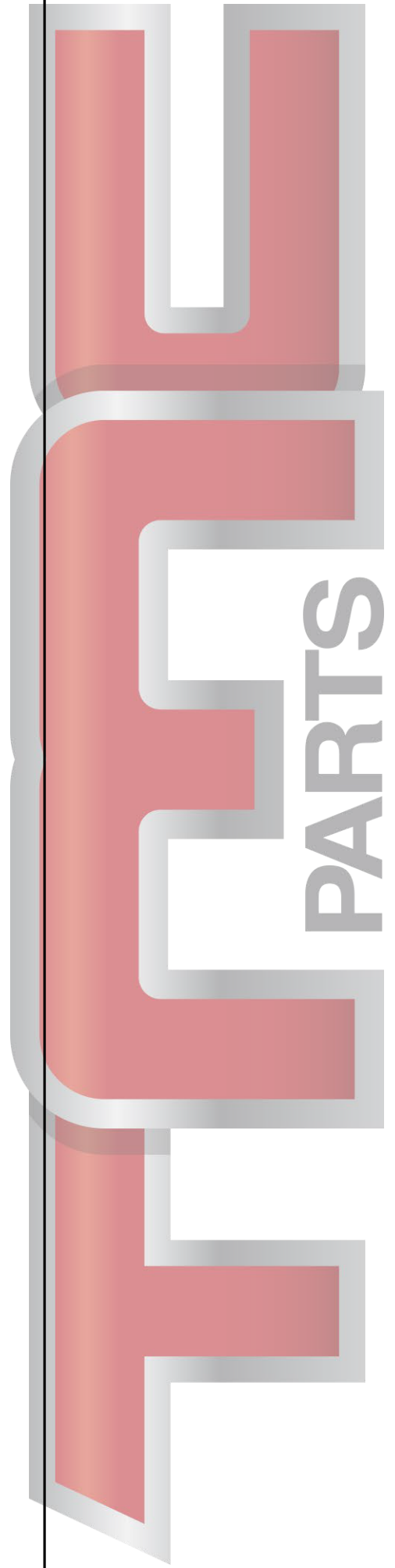


# 01-08-0752 FUMIGADOR



PAGINA 2

FUMIGADOR - ESTRUCTURA - FRAME B				
TMC PARTS	01-08-0752	DESCRIPCION	Description	CANTIDAD REQUERIDA
No.	Part No.			
B36	0752-2-36	INTERRUPTOR STOP	STOP SWITCH	1
B37	0752-2-37	VAINA	TUBE	1
B38	0752-2-38	CABLE DE ACELERADOR	FUEL THROTTLE	1
B39	0752-2-39	SOPORTE DE MANGO	HANDLE	1
B40	0752-2-40	BULON	BOLT M6*45	1
B41	0752-2-41	ARANDELA	WASHER #6	1
B42	0752-2-42	TUERCA	NUT M6	1
B43	0752-2-43	TORNILLO	SCREW 2,9X13	1
B44	0752-2-44	BOTON	PUSH BUTTON	1
B45	0752-2-45	RESORTE	SPRING	1
B46	0752-2-46	CARCAZA DE MANGO IZQ.	LEFT MANIPULATOR	1
B47	0752-2-47	PERNO	PIN	1
B48	0752-2-48	RESORTE	SPRING	1
B49	0752-2-49	SOPORTE	HANDLE	1
B50	0752-2-50	SOPORTE	HANDLE	1
B51	0752-2-51	RESORTE LARGO	LONG SPRING	1
B52	0752-2-52	CARCAZA DE MANGO DER.	RIGHT MANIPULATOR	1
B53	0752-2-53	TORNILLO	SCREW 2,9X18	3
B54	0752-2-54	TORNILLO	SCREW M5X30	1
B55	0752-2-55	TUERCA	NUT M5	1
B56	0752-2-56	EMPUÑADURA COMPLETA	MANIPULATOR ASSY	1
B57	0752-2-57	TORNILLO	SCREW M5X16	12
B58	0752-2-58	PROTECTOR	PROTECTION	1
B59	0752-2-59	ARANDELA	WASHER #6	2
B60	0752-2-60	TUERCA	NUT M6	2
B61	0752-2-61	TORNILLO	SCREW M6X30	4
B62	0752-2-62	TORNILLO	SCREW M5X65	2
B63	0752-2-63	TUERCA	NUT M5	2
B64	0752-2-64	CARCAZA DE TURBINA	VOLUTE CASE	1
B65	0752-2-65	TURBINA	IMPELLER	1
B66	0752-2-66	TORNILLO	SCREW M5X35	4
B67	0752-2-67	CARCAZA DE TURBINA	VOLUTE CASE	1
B68	0752-2-68	TORNILLO	SCREW M5*20	8
B69	0752-2-69	TORNILLO	SCREW M6*16	2
B70	0752-2-70	TORNILLO	SCREW 4,2X13	3
B71	0752-2-71	TAPA	COVER	1
B72	0752-2-72	SOPORTE	BOARD	2
B73	0752-2-73	ESTRUCTURA	SUPPOT	1
B74	0752-2-74	TORNILLO	SCREW M6*16	2
B75	0752-2-75	TRABA	FIXED BLOCK	2
B76	0752-2-76	RESORTE	SPRING	1
B77	0752-2-77	CONECTOR	LINE	1
B78	0752-2-78	AMORTIGUADOR	RUBBER PILLAR	2
B79	0752-2-79	CARCAZA	FRAME	1
B80	0752-2-80	EJE	AXIS	2
B81	0752-2-81	DESCARGA TIERRA	GALLUS	2
B82	0752-2-82	PLACA	MAT	1
B83	0752-2-83	SEGURO PLASTICO	PLASTIC CLIP	5
B84	0752-2-84	TORNILLO	SCREW M6X12	2
B85	0752-2-85	TANQUE DE COMBUSTIBLE	GASOLINE TANK	1
B86	0752-2-86	FILTRO DE COMB.	FILTER	1
B87	0752-2-87	PASADOR	STOPPER	1
B88	0752-2-88	MANGUERA DE COMB.	TUBE	1
B89	0752-2-89	MANGUERA DE COMB.	TUBE	1
B90	0752-2-90	ABRAZADERA	HOOP #59 #82	1
B91	0752-2-91	TAPA DE TANQUE COMP.	LID	1
B92	0752-2-92	TAPA DE DEPOSITO	LID	1
B93	0752-2-93	ORING	SEALING WASHER	1
B94	0752-2-94	RESPIRADERO	AIR VALVE	1
B95	0752-2-95	FILTRO	FILTER	1
B96	0752-2-96	CONDUCTO	TUBE	1
B97	0752-2-97	DEPOSITO DE QUIMICO	CHEMICAL TANK	1
B98	0752-2-98	ARANDELA SELLO	SEALING WASHER	1
B99	0752-2-99	CONDUCTO	LINK PIPE	1
B100	0752-2-100	TUERCA CONECTOR	CONNECTOR LID	1
B101	0752-2-101	CONECTOR	CONNECTOR	1
B102	0752-2-102	ARANDELA SELLO	SEALING WASHER	1
B103	0752-2-103	TUERCA CONECTOR	CONNECTOR LID	1
B104	0752-2-104	ABRAZADERA	HOOP #25 #40	3
B105	0752-2-105	MANGUERA DE GOMA	CONNECTOR	1
B106	0752-2-106	DEPOSITO DE SOLIDOS	TUBE	1
B107	0752-2-107	SEGURO	CLIP	4
B108	0752-2-108	ORING	LOOP	1
B109	0752-2-109	TUERCA CONECTOR	CONNECTOR LID	1
B110	0752-2-110	MANGUERA ESPIRALADA	TUBE	1
B111	0752-2-111	CONDUCTO	TUBE	1
B112	0752-2-112	CONDUCTO	TUBE	1
B113	0752-2-113	CONECTOR	PLUG	1
B114	0752-2-114	CONDUCTO	TUBE	1
B115	0752-2-115	PLACA	BOARD	1
B116	0752-2-116	CODO	ELBOW	1
B117	0752-2-117	SEGURO	CLIP	1
B118	0752-2-118	PERILLA	SWITCH	1
B119	0752-2-119	ABRAZADERA	HOOP #78 #90	1
B120	0752-2-120	MANGUERA ESPIRALADA	TUBE	1
B121	0752-2-121	CAÑO DE PLASTICO TRASERO	CONNECTOR	1
B122	0752-2-122	CAÑO DE PLASTICO FRONTAL	TUBE	1
B125	0752-2-125	REGULADOR DE AIRE	VALVE	1
B126	0752-2-126	ORING	SEALING WASHER	1
B127	0752-2-127	BOQUILLA DE ASPERSION	NOOZLE	1
B128	0752-2-128	EJE ASPERSOR	NOOZLE	1
B129	0752-2-129	ARANDELA	WASHER	1
B130	0752-2-130	TURBINA DE ASPERSION	ROTATION IMPELLER	1
B131	0752-2-131	ASIENTO	SEAT	1
B132	0752-2-132	BOQUILLA	NOOZLE	1
B134	0752-2-134	LLAVE SACA BUJIA	SPANNER	1
B135	0752-2-135	CADENA	CHAIN	1
B136	0752-2-136	BOTELLA MEZCLADOR	OIL BOTTLE	1



**SOLICITAR AQUI**