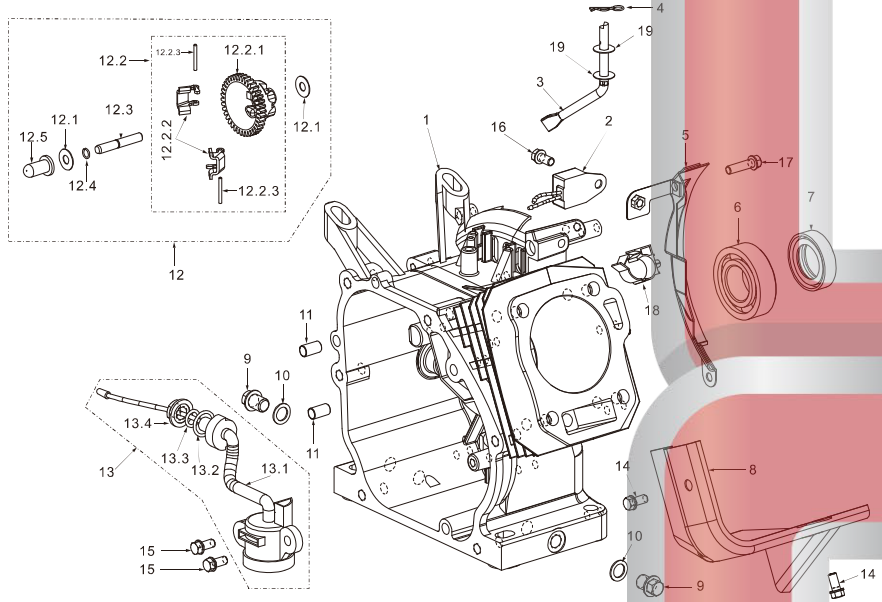


01-05-8050 MOTOBOMBA



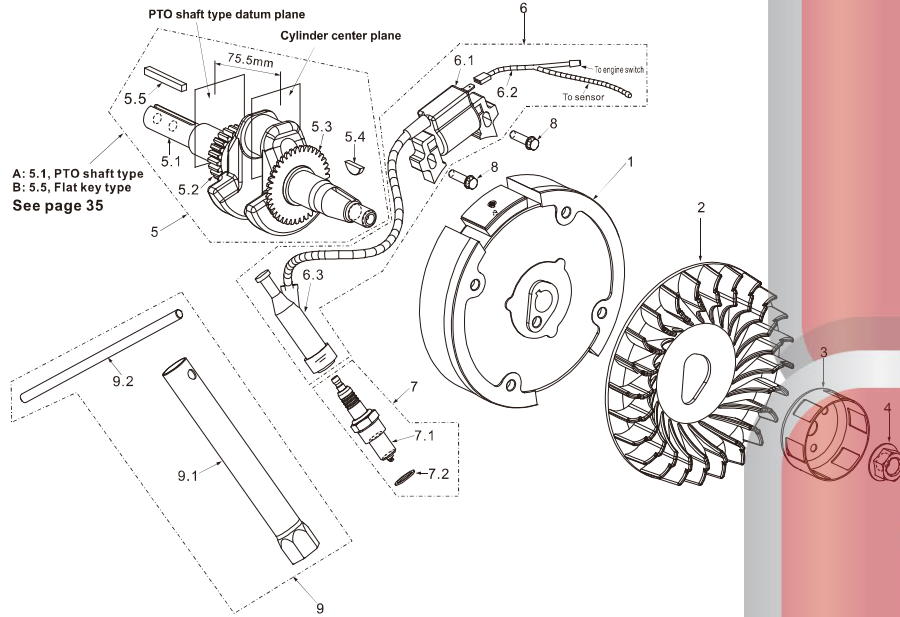
CARTER - CRANKCASE PARTS

TMC PARTS	01-05-8050	DESCRIPCION	Description	CANTIDAD REQUERIDA
No.	Part No.			
1	8050-1-1	Carter - Cuerpo	Crankcase body	1
2	8050-1-2	Amplificador de corriente	Current amplifier	1
3	8050-1-3	Perilla	Sway bar	1
4	8050-1-4	Seguro	Split clip	1
5	8050-1-5	Placa lateral	Side plate	1
6	8050-1-6	Rodamiento 6205	Ball bearing 6205	1
7	8050-1-7	Reten de aceite	Oil seal $\Phi 25 * \Phi 41.25 * 6$	1
8	8050-1-8	Deflector de viento	Wind guide	1
9	8050-1-9	Bulon de drenaje	Drain bolt M10*1.25*15	2
10	8050-1-10	Arandela de drenaje	Washer, Drain bolt $\Phi 10 * \Phi 15 * 2$	2
11	8050-1-11	Perno Juego	Set pin $\Phi 8 * 14$	2
12	8050-1-12	Engranaje centrifugo Completo	Centrifugal gear parts	1
12.1	8050-1-12.1	Arandela de drenaje	Washer, Slip cap $\Phi 6 * \Phi 15 * 0.5$	2
12.2	8050-1-12.2	Engranaje centrifugo	Centrifugal gear ass.	1
12.2.1	8050-1-12.2.1	Corona	Centrifugal gear	1
12.2.2	8050-1-12.2.2	Bloqueo	Centrifugal block 3.7	2
12.2.3	8050-1-12.2.3	Perno Juego	Pin, Centrifugal block $\Phi 2 * 19$	2
12.3	8050-1-12.3	Centro axial	Center axis $\Phi 6 * 39$	1
12.4	8050-1-12.4	Seguro de centro	Clip, Center axis $\Phi 6.6 * \Phi 1$	1
12.5	8050-1-12.5	Tapa	Slip cap	1
13	8050-1-13	Sensor de aceite	Oil sensor ass.	1
13.1	8050-1-13.1	Cuerpo de Sensor	Oil sensor body	1
13.2	8050-1-13.2	O-ring	O - ring $\Phi 17 * \Phi 2$	1
13.3	8050-1-13.3	O-ring	O - ring $\Phi 11 * \Phi 2$	1
13.4	8050-1-13.4	Tuerca	Nut M10	1
14	8050-1-14	Bulon	Bolt M6*10	2
15	8050-1-15	Bulon	Bolt M6*14	2
16	8050-1-16	Bulon	Bolt M6*12	1
17	8050-1-17	Bulon	Bolt M6*20	1
18	8050-1-18	Soporte de conducto	Rubber wire hoop	1
19	8050-1-19	Arandela	Washer, Slip cap $\Phi 6 * \Phi 15 * 0.5$	2



SOLICITAR AQUI

01-05-8050 MOTOBOMBA



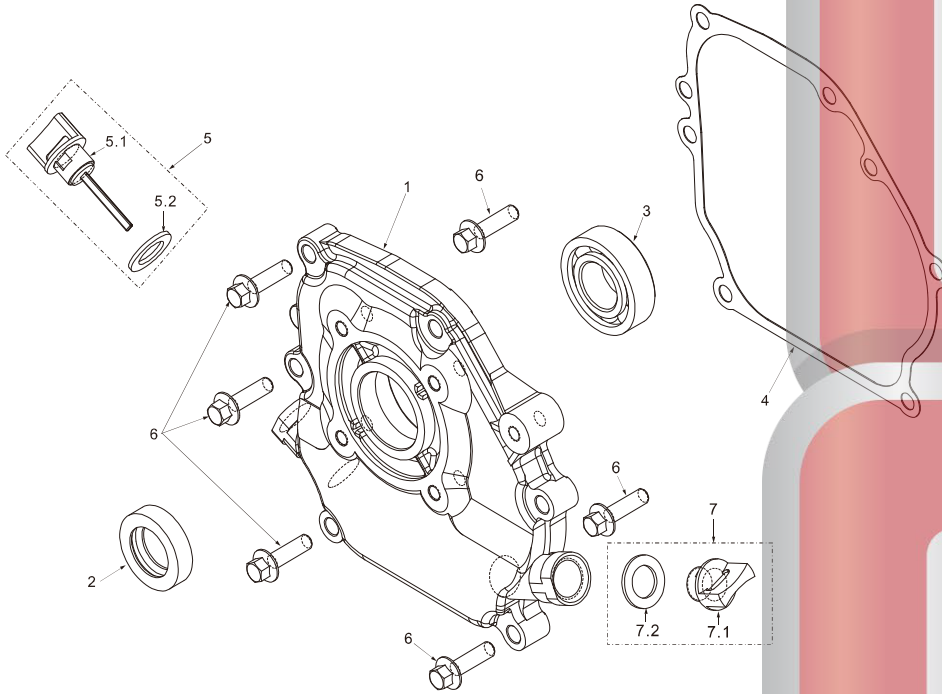
CIGUEÑAL CRANSHAFT PARTS

TMC PARTS	01-05-8050	DESCRIPCION	Description	CANTIDAD REQUERIDA
No.	Part No.			
1	8050-2-1	Volante magnético comp.	Flywheel ass.	1
2	8050-2-2	Turbina de volante	Flywheel fan	1
3	8050-2-3	Taza de arranque	Starter sleeve	1
4	8050-2-4	Tuerca de volante	Nut, Flywheel ass. M14*1.5	1
5	8050-2-5	Cigüeñal completo	Crankshaft ass.	1
5.1	8050-2-5.1	cigüeñal	Crankshaft	1
5.2	8050-2-5.2	Engranaje	Timing gear	1
5.3	8050-2-5.3	Corona central	Governor gear	1
5.4	8050-2-5.4	Chaveta	Woodruff key	1
5.5	8050-2-5.5	Chaveta plana	Flat key	1
6	8050-2-6	Bobina de encendido comp.	Ignition coil ass.	1
6.1	8050-2-6.1	Bobina de encendido	Ignition coil	1
6.2	8050-2-6.2	Cable	Stop lead	1
6.3	8050-2-6.3	Capuchón de bujía	Spark plug cap	1
7	8050-2-7	Bujía de encendido comp.	Spark plug ass. F6RTC	1
7.1	8050-2-7.1	Bujía de encendido	Spark plug	1
7.2	8050-2-7.2	Arandela	Washer, Spark plug $\Phi 14 * \Phi 18 * 1$	1
8	8050-2-8	Bulon	Bolt M6*25	2
9	8050-2-9	Llave saca bujía conjunto	Tools	1
9.1	8050-2-9.1	Llave saca bujía	Wrench, Spark plug $\Phi 22 * 175$	1
9.2	8050-2-9.2	Mango de llave	Handle $\Phi 7 * 185$	1



SOLICITAR AQUI

01-05-8050 MOTOBOMBA

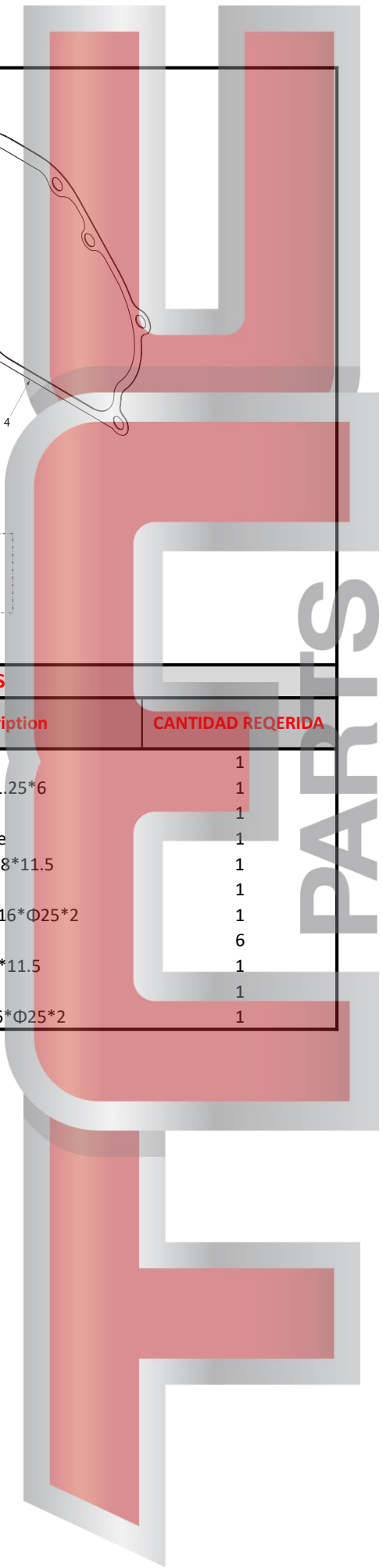


TAPA DE CARTER - CRANKCASE COVER PARTS

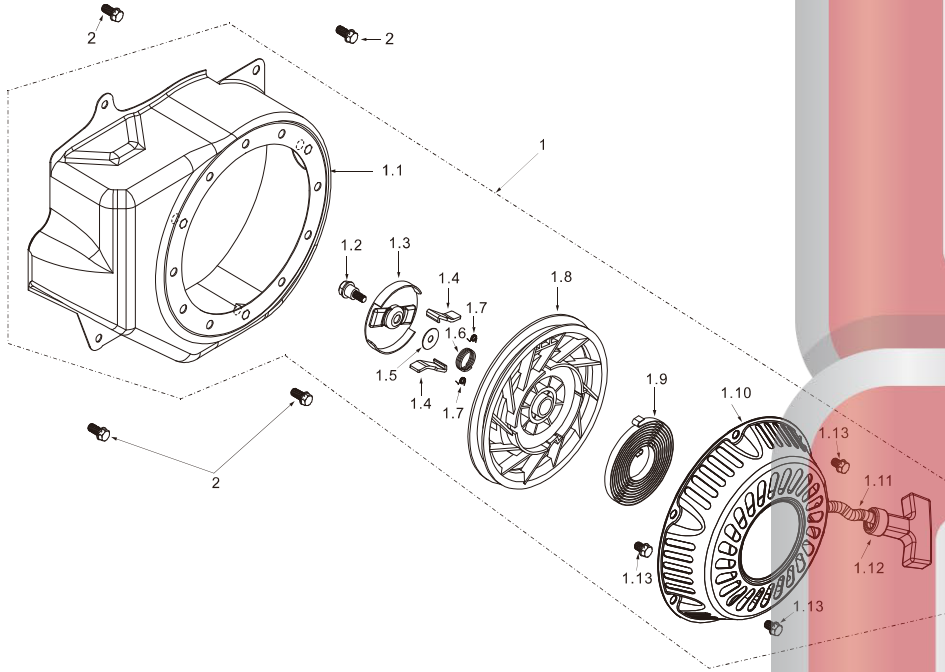
TMC PARTS No.	01-05-8050 Part No.	DESCRIPCION	Description	CANTIDAD REQUERIDA
1	8050-3-1	Tapa de carter	Crankcase cover	1
2	8050-3-2	Reten de aceite	Oil seal $\Phi 25 \times \Phi 41.25 \times 6$	1
3	8050-3-3	Rodamiento	Ball bearing 6205	1
4	8050-3-4	Junta de carter	Gasket, Crankcase	1
5	8050-3-5	Medidor de aceite comp.	Oil gauge ass. M18*11.5	1
5.1	8050-3-5.1	Medidor de aceite	Oil gauge	1
5.2	8050-3-5.2	Oring	Seal, Oil gauge $\Phi 16 \times \Phi 25 \times 2$	1
6	8050-3-6	Bulon	Bolt M8*30	6
7	8050-3-7	Tapa de drenaje comp.	Oil plug ass. M18*11.5	1
7.1	8050-3-7.1	Tapa	Oil plug	1
7.2	8050-3-7.2	Oring	Seal, Oil plug $\Phi 16 \times \Phi 25 \times 2$	1



SOLICITAR AQUI



01-05-8050 MOTOBOMBA

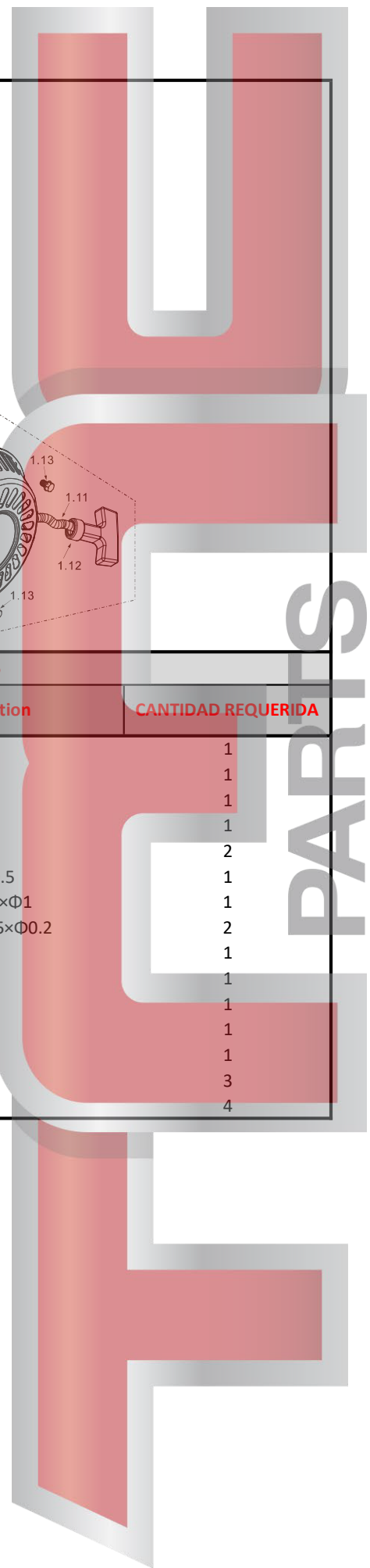


TAPA DE ARRANQUE RECOIL STARTER PARTS

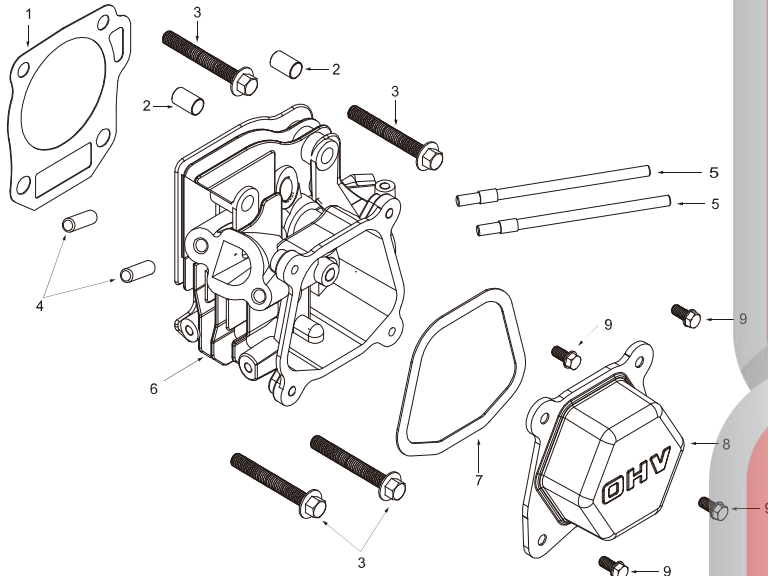
TMC PARTS	01-05-8050	DESCRIPCION	Description	CANTIDAD REQUERIDA
No.	Part No.			
1	8050-4-1	Tapa de arranque comp.	Recoil starter ass.	1
1.1	8050-4-1.1	Tapa de turbina	Fan cover	1
1.2	8050-4-1.2	Bulon	Pivot bolt M5×17	1
1.3	8050-4-1.3	Taza	Ratchet guide	1
1.4	8050-4-1.4	Trinquete	Ratchet	2
1.5	8050-4-1.5	Arandela	Washer $\Phi 5 \times \Phi 17 \times 0.5$	1
1.6	8050-4-1.6	Resorte de trinquete	Friction spring $\Phi 16 \times \Phi 1$	1
1.7	8050-4-1.7	Resorte de trinquete	Ratchet spring $\Phi 5.5 \times \Phi 0.2$	2
1.8	8050-4-1.8	Polea de arranque	Roller	1
1.9	8050-4-1.9	Resorte de arranque	Starter spring	1
1.10	8050-4-1.10	Tapa	Starter cover	1
1.11	8050-4-1.11	Soga	Rope	1
1.12	8050-4-1.12	Mango	Pulling handle	1
1.13	8050-4-1.13	Bulon	Bolt M6×8	3
2	8050-4-2	Bulon	Bolt M6×12	4



SOLICITAR AQUI



01-05-8050 MOTOBOMBA



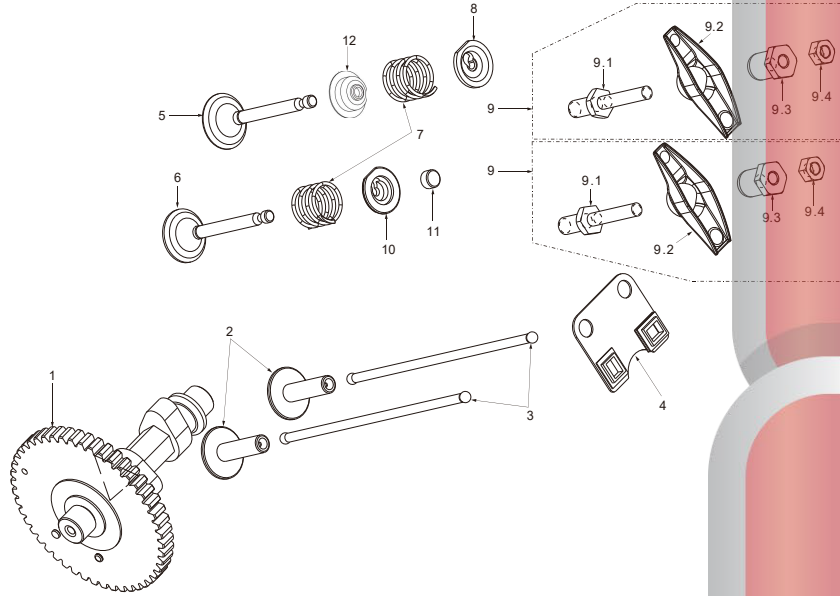
TAPA DE CILINDRO - CYLINDER HEAD PARTS

TMC PARTS No.	01-05-8050 Part No.	DESCRIPCION	Description	CANTIDAD REQUERIDA
1	8050-5-1	Junta	Gasket, Cylinder head	1
2	8050-5-2	Perno	Set pin $\Phi 10 \times 14$	2
3	8050-5-3	Bulon	Bolt M8 \times 60,22	4
4	8050-5-4	Perno guia	Stud, Exhaust port M8 \times 32	2
5	8050-5-5	Perno guia	Stud, Intake port M6 \times 113	2
6	8050-5-6	Cilindro comp.	Cylinder head ass.	1
7	8050-5-7	Junta	Gasket, Cylinder head cover	1
8	8050-5-8	Tapa de cilindro	Cylinder head cover	1
9	8050-5-9	bulon	Bolt M6 \times 12	4



SOLICITAR AQUI

01-05-8050 MOTOBOMBA

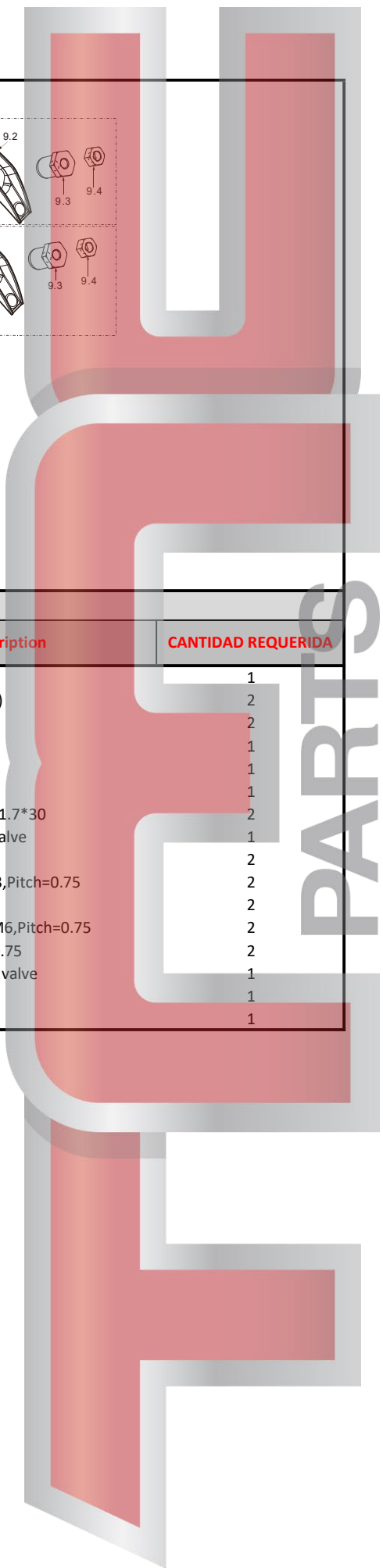


ARBOL DE LEVAS - CAMSHAFT PARTS

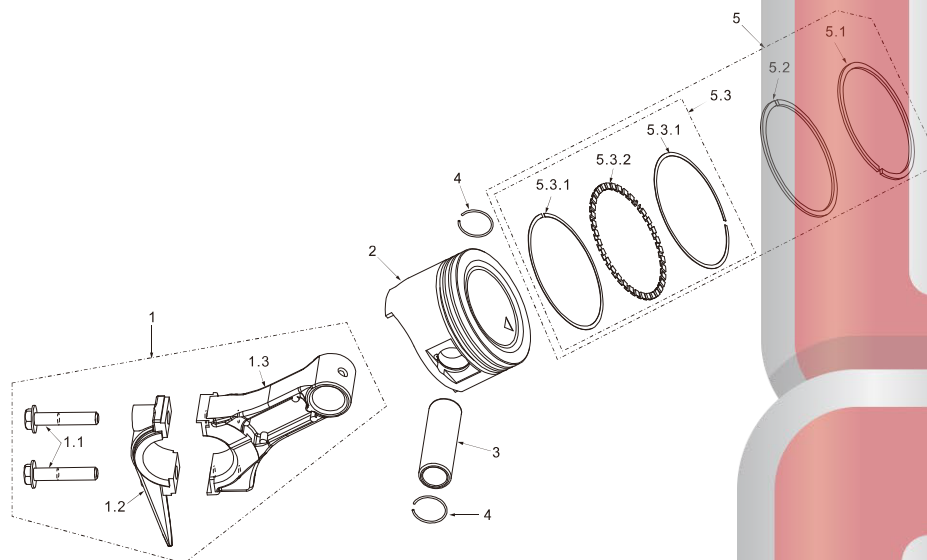
TMC PARTS No.	01-05-8050 Part No.	DESCRIPCION	Description	CANTIDAD REQUERIDA
1	8050-6-1	Arbol de levas comp,	Camshaft ass.	1
2	8050-6-2	Tope de balancín	Tappet $\Phi 8 \times 30$ (30.3)	2
3	8050-6-3	Brazo	Pusher $\Phi 4 \times 134$	2
4	8050-6-4	Plato guía	Pusher guide	1
5	8050-6-5	Válvula de admisión	Intake valve	1
6	8050-6-6	Válvula de salida	Exhaust valve	1
7	8050-6-7	Resorte de válvula	Valve spring $\Phi 18 \times \Phi 1.7 \times 30$	2
8	8050-6-8	Seguro de válvula	Spring seat, Intake valve	1
9	8050-6-9	Balancín comp.	Rocker ass.	2
9.1	8050-6-9.1	Brazo	Stud, Rocker M6*53,Pitch=0.75	2
9.2	8050-6-9.2	Balancín comp.	Rocker	2
9.3	8050-6-9.3	Tuerca de ajuste	Adjust nut, sphere M6,Pitch=0.75	2
9.4	8050-6-9.4	Tuerca de traba	Lock nut M6,Pitch=0.75	2
10	8050-6-10	Seguro de válvula	Spring seat, Exhaust valve	1
11	8050-6-11	Tapa	Cap, Exhaust valve	1
12	8050-6-12	Tapa	Oil baffle cover	1



SOLICITAR AQUI



01-05-8050 MOTOBOMBA



PISTON - PISTON PARTS

TMC PARTS No.	01-05-8050 Part No.	DESCRIPCION	Description	CANTIDAD REQUERIDA
1	8050-7-1	Biela comp.	Connecting rod ass.	1
1.1	8050-7-1.1	Bulon	Bolt, Connecting rod M7*35	2
1.2	8050-7-1.2	Tapa superior de biela	Cover, Connecting rod	1
1.3	8050-7-1.3	Cuerpo de biela	Body, Connecting rod	1
2	8050-7-2	Piston	Piston	1
3	8050-7-3	Perno de piston	Piston pin $\Phi 18 \times \Phi 13 \times 53.8$	1
4	8050-7-4	Seguro de piston	Cli, Piston pin $\Phi 19.1 \times \Phi 0.9$	2
5	8050-7-5	Aros de piston	Piston ring ass.	1
5.1	8050-7-5.1	Aro nº1	First air ring	1
5.2	8050-7-5.2	Aron nº2	Second air ring	1
5.3	8050-7-5.3	Aro rasca aceite	Oil ring ass.	1
5.3.1	8050-7-5.3.1	Aro rasca aceite	Scraper ring	2
5.3.2	8050-7-5.3.2	Aro rasca aceite	Set off ring	1

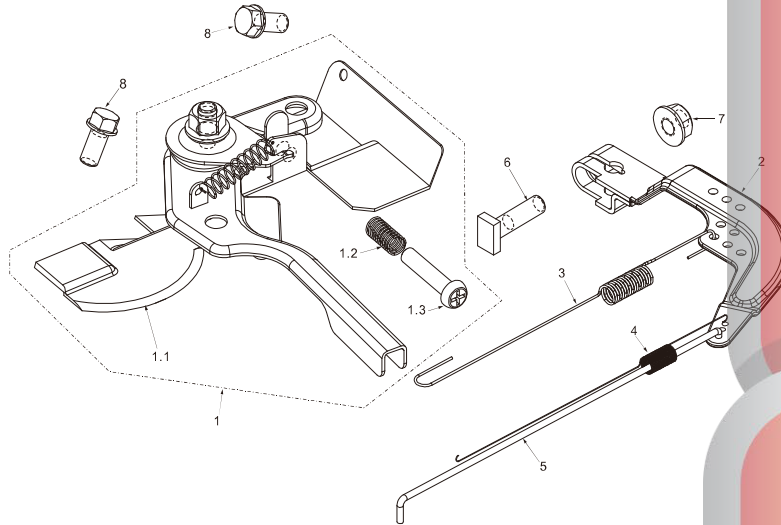


SOLICITAR AQUI

PARTS

01-05-8050 MOTOBOMBA

PAGINA 8



PALANCA ACELERADOR - SPEED ADJUSTMENT BASE PARTS

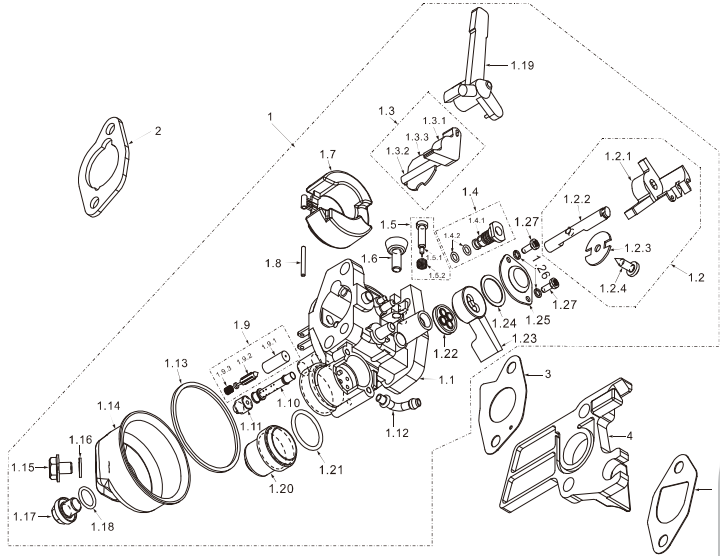
TMC PARTS	01-05-8050	DESCRIPCION	Description	CANTIDAD REQUERIDA
No.	Part No.			
1	8050-8-1	Palanca acelerador comp.	Speed adjustment base parts	1
1.1	8050-8-1.1	Palanca acelerador	Speed adjustment base ass.	1
1.2	8050-8-1.2	Resorte de ajuste	Adjustment spring $\Phi 6.5 * \Phi 0.5 * 36$	1
1.3	8050-8-1.3	Tornillo de ajuste	adjustment screw M5*35	1
2	8050-8-2	Brazo regulador	Speed adjustment arm	1
3	8050-8-3	Resorte acelerador grueso	Return spring $\Phi 6 * \Phi 0.7 * 120$	1
4	8050-8-4	Resorte acelerador fino	Fine adjustment spring $\Phi 5.4 * \Phi 0.2 * 114$	1
5	8050-8-5	Varilla acelerador	Pulling rod $\Phi 2 * 129$	1
6	8050-8-6	Bulon	Quadrant bolt M6*21	1
7	8050-8-7	Tuerca	Nut M6	1
8	8050-8-8	Bulon	Bolt M6*12	2



SOLICITAR AQUI

PARTS

01-05-8050 MOTOBOMBA



CARBURADOR - CARBURETOR PARTS

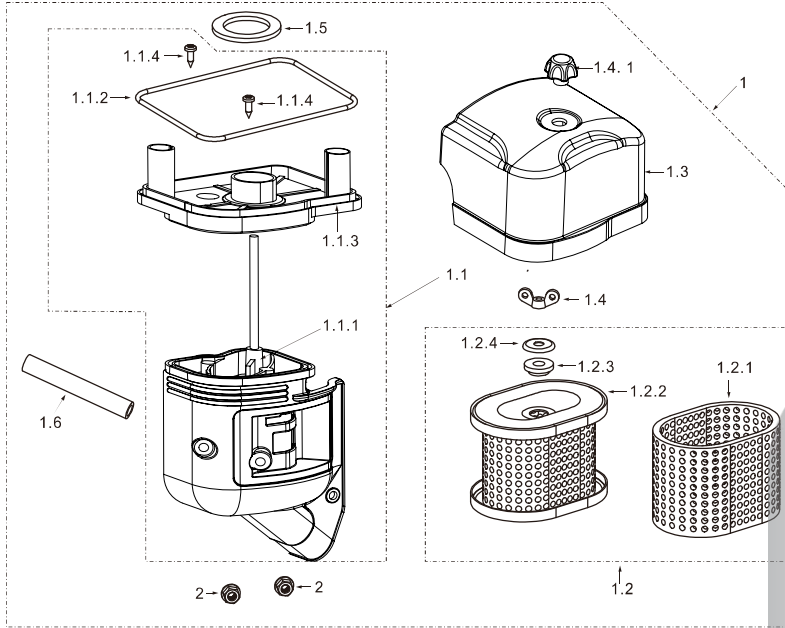
TMC PARTS	01-05-8050	DESCRIPCION	Description	CANTIDAD REQUERIDA
No.	Part No.			
1	8050-9-1	Carburador comp.	Carburetor ass.	1
1.1	8050-9-1.1	Cuerpo carburador	Carburetor body	1
1.2	8050-9-1.2	Valvula acelerador comp.	Throttle valve ass.	1
1.2.1	8050-9-1.2.1	Tapa	Throttle valve cap	1
1.2.2	8050-9-1.2.2	Eje	Throttle valve axis	1
1.2.3	8050-9-1.2.3	Valvula	Throttle valve	1
1.2.4	8050-9-1.2.4	Tornillo	Screw M4*12	1
1.3	8050-9-1.3	Valvula cebador comp.	Choke valve ass.	1
1.3.1	8050-9-1.3.1	Tapa	Choke valve cap	1
1.3.2	8050-9-1.3.2	Eje	Choke valve axis	1
1.3.3	8050-9-1.3.3	Valvula	Choke valve	1
1.4	8050-9-1.4	Medidor vel. Ralenti comp.	Measure hole ass., idle speed	1
1.4.1	8050-9-1.4.1	Medidor vel. Ralenti	Measure hole, idle speed	1
1.4.2	8050-9-1.4.2	Oring	O-ring $\Phi 4.7 \times \Phi 1$	2
1.5	8050-9-1.5	Aguja de regulaci3n comp.	Adjustment screw ass., mixture ratio	1
1.5.1	8050-9-1.5.1	Aguja de regulaci3n comp.	Adjustment screw, mixture ratio M4*12	1
1.5.2	8050-9-1.5.2	Resorte	Spring $\Phi 4.75 \times \Phi 0.5 \times 3$	1
1.6	8050-9-1.6	Tornillo de ajuste	Adjustment screw, idle speed M5*11	1
1.7	8050-9-1.7	Flotador	Fuel floater	1
1.8	8050-9-1.8	Perno de flotador	Pin, Fuel floater $\Phi 2 \times 18$	1
1.9	8050-9-1.9	Valvula comp.	Needle valve ass.	1
1.9.1	8050-9-1.9.1	Asiento de valvula	Needle valve seat	1
1.9.2	8050-9-1.9.2	Valvula	Needle valve	1
1.9.3	8050-9-1.9.3	Resorte	Spring, Needle valve $\Phi 3.5 \times \Phi 0.2$	1
1.10	8050-9-1.10	Propulsor central	Main jet	1
1.11	8050-9-1.11	Regulador	Main measuring hole	1
1.12	8050-9-1.12	Conducto de ingreso	Fuel inlet tubo	1
1.13	8050-9-1.13	Reten	Rubber seal, Fuel cup $\Phi 47 \times \Phi 51 \times 2$	1
1.14	8050-9-1.14	Cuba	Fuel cup	1
1.15	8050-9-1.15	Conector de drenaje	Fuel drain plug M6*7	1
1.16	8050-9-1.16	Junta	Gasket, Fuel drain plug $\Phi 6 \times \Phi 10 \times 1$	1
1.17	8050-9-1.17	Bul3n	Tighten bolt, Fuel cup M8*7	1
1.18	8050-9-1.18	Oring	O-ring $\Phi 11 \times \Phi 1.5$	1
1.19	8050-9-1.19	Palanca de cebador	Handgrip, Choke valve	1
1.20	8050-9-1.20	Recipiente de sedimentos	Sediment cup	1
1.21	8050-9-1.21	Oring	O-ring $\Phi 21 \times \Phi 2$	1
1.22	8050-9-1.22	Valvula de combustible	Fuel valve	1
1.23	8050-9-1.23	Perilla	Handlebar	1
1.24	8050-9-1.24	Arandela	Spring washer	1
1.25	8050-9-1.25	Tapa superior	Upper cover	1
1.26	8050-9-1.26	Arandela	Spring washer $\Phi 3$	2
1.27	8050-9-1.27	Tornillo	Screw M3*7	2
2	8050-9-2	Junta	Steel gasket	1
3	8050-9-3	Junta	Gasket, carburetor	1
4	8050-9-4	Soporte	Block, carburetor	1
5	8050-9-5	Junta	Gasket, iniet port	1



SOLICITAR AQUI

PARTS

01-05-8050 MOTOBOMBA



FILTRO DE AIRE - AIRCLEANER PARTS (Hemi-dry type)

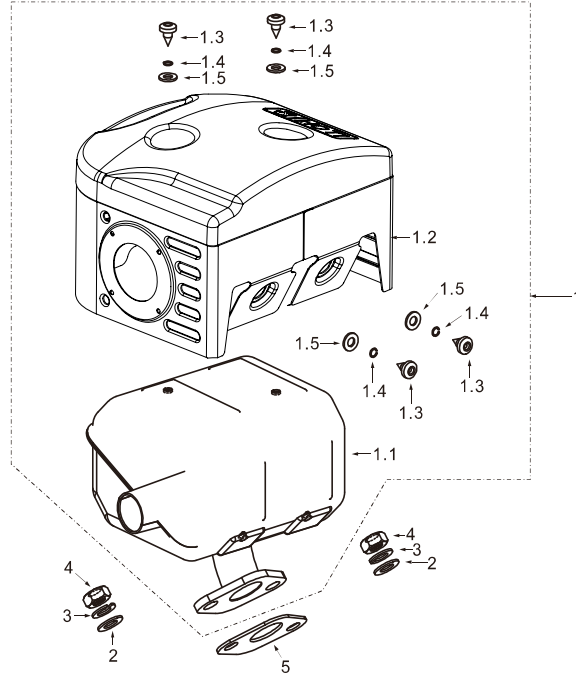
TMC PARTS	01-05-8050	DESCRIPCION	Description	CANTIDAD REQUERIDA
No.	Part No.			
1	8050-10-1	Filtro de aire completo	Air cleaner ass.	1
1.1	8050-10-1.1	Carcaza de filtro	Air cleaner seat ass.	1
1.1.1	8050-10-1.1.1	Asiento de filtro	Air cleaner seat	1
1.1.2	8050-10-1.1.2	Oring	Seal ring	1
1.1.3	8050-10-1.1.3	Tapa	Cover board	1
1.1.4	8050-10-1.1.4	Tornillo	Screw M4×12	2
1.2	8050-10-1.2	Elemento completo	Filter ass.	1
1.2.1	8050-10-1.2.1	Pre Filtro	Foam filter	1
1.2.2	8050-10-1.2.2	Filtro de aire	Papery filter	1
1.2.3	8050-10-1.2.3	Arandela de ajuste	Rubber fixer	1
1.2.4	8050-10-1.2.4	Arandela de ajuste	Discal washer	1
1.3	8050-10-1.3	Carcaza de filtro	Filter case	1
1.4	8050-10-1.4	Tuerca mariposa	Butterfly nut M6	1
1.4.1	8050-10-1.4.1	Tuerca mariposa	Tighten nut M6	1
1.5	8050-10-1.5	Oring	Seal ring $\Phi 32 \times \Phi 47 \times 3$	1
1.6	8050-10-1.6	Conducto	Air duck $\Phi 8 \times \Phi 12$	1
2	8050-10-2	Tuerca mariposa	Nut M6	2



SOLICITAR AQUI

PARTS

01-05-8050 MOTOBOMBA

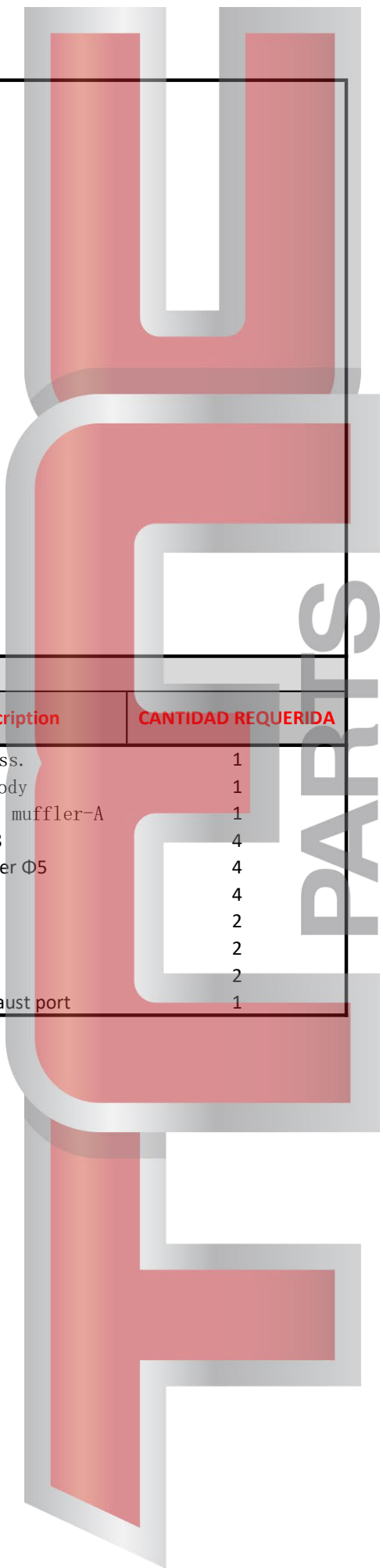


SILENCIADOR - MUFFLER PARTS

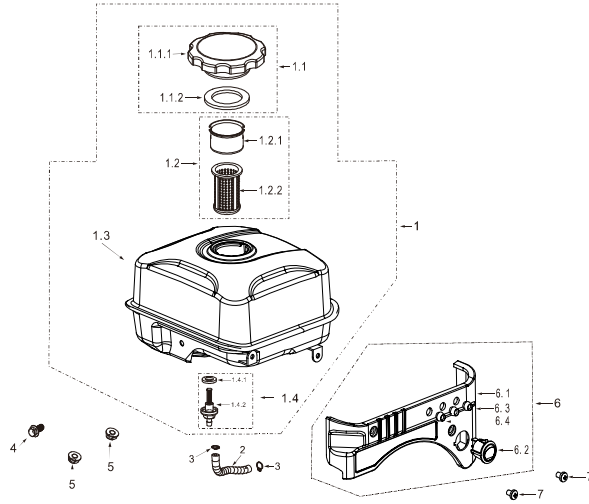
TMC PARTS	01-05-8050	DESCRIPCION	Description	CANTIDAD REQUERIDA
No.	Part No.			
1	8050-11-1	Silenciador comp.	Muffler ass.	1
1.1	8050-11-1.1	Sileciador cuerpo	muffler body	1
1.2	8050-11-1.2	Protector	Protector, muffler-A	1
1.3	8050-11-1.3	Tornillo	Screw M5x8	4
1.4	8050-11-1.4	Arandela	Spring washer Φ 5	4
1.5	8050-11-1.5	Arandela	Washer Φ 5	4
2	8050-11-2	Arandela	Washer Φ 8	2
3	8050-11-3	Resorte	Spring Φ 8	2
4	8050-11-4	Tuerca	Nut M8	2
5	8050-11-5	Junta	Gasket, exhaust port	1



SOLICITAR AQUI



01-05-8050 MOTOBOMBA

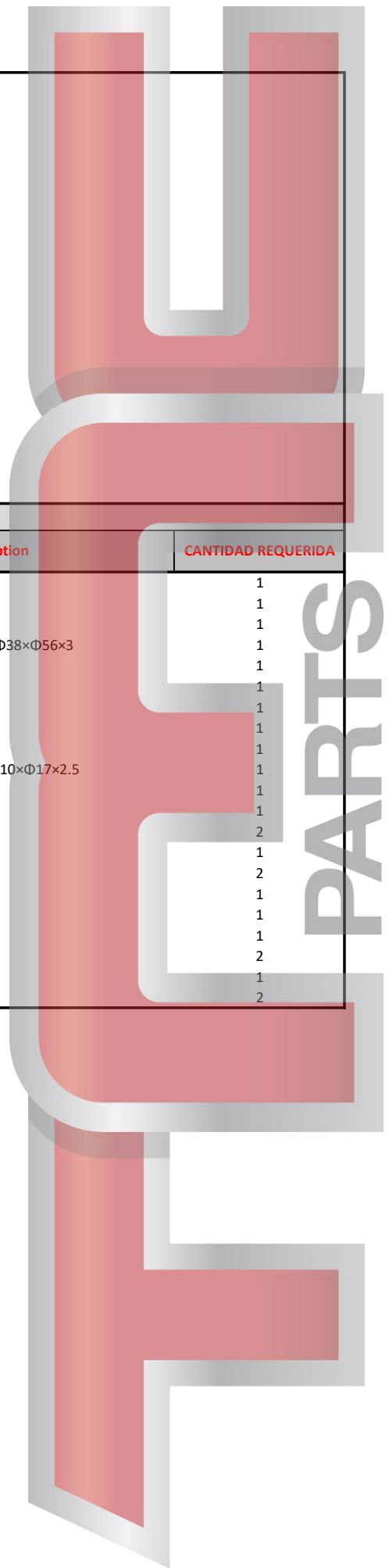


TANQUE DE COMBUSTIBLE - FUEL TANK PARTS

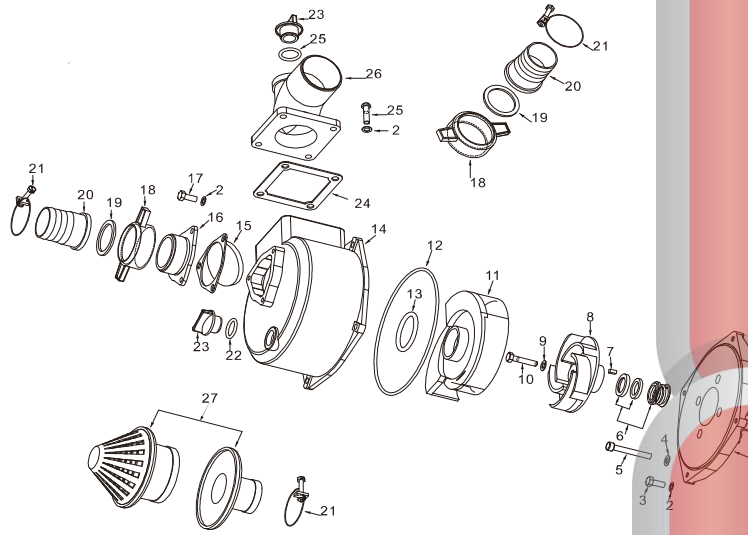
TMC PARTS	01-05-8050	DESCRIPCION	Description	CANTIDAD REQUERIDA
No.	Part No.			
1	8050-12-1	Tanque de combustible comp.	Fuel tank ass.	1
1.1	8050-12-1.1	Tapa de tanque comp.	Fuel tank cover ass.	1
1.1.1	8050-12-1.1.1	Tapa de tanque	Fuel tank cover	1
1.1.2	8050-12-1.1.2	Arandela de goma	Rubber seal, Fuel tank cover $\Phi 38 \times \Phi 56 \times 3$	1
1.2	8050-12-1.2	Filtro de combustible comp.	Fuel filter ass.	1
1.2.1	8050-12-1.2.1	Soporte	support, Fuel filter	1
1.2.2	8050-12-1.2.2	Filtro de combustible	Fuel filter	1
1.3	8050-12-1.3	Tanque de combustible	Fuel tank	1
1.4	8050-12-1.4	Conector de tanque	Fuel joint ass.	1
1.4.1	8050-12-1.4.1	Arandela de goma	Rubber seal, Fuel tank joint $\Phi 10 \times \Phi 17 \times 2.5$	1
1.4.2	8050-12-1.4.2	Conector de tanque	Fuel joint	1
2	8050-12-2	Conducto	Fuel tube $\Phi 8.5 \times \Phi 4.5$	1
3	8050-12-3	Seguro	Clip, fuel tube $\Phi 9 \times 0.5$	2
4	8050-12-4	Bulon	Bolt M6x28	1
5	8050-12-5	Tuerca	Nut M6	2
6	8050-12-6	Panel frontal comp.	Stop Face mask ass.	1
6.1	8050-12-6.1	Panel frontal	Stop Face mask	1
6.2	8050-12-6.2	Interruptor de pared	Stop switch	1
6.3	8050-12-6.3	Indicador (verde)	Indicator(Green)	2
6.4	8050-12-6.4	Indicador (rojo)	Indicator(Red)	1
7	8050-12-7	Tornillo	Screw M5x12	2



SOLICITAR AQUI



01-05-8050 MOTOBOMBA



BOMBA - WATER PUMP PARTS

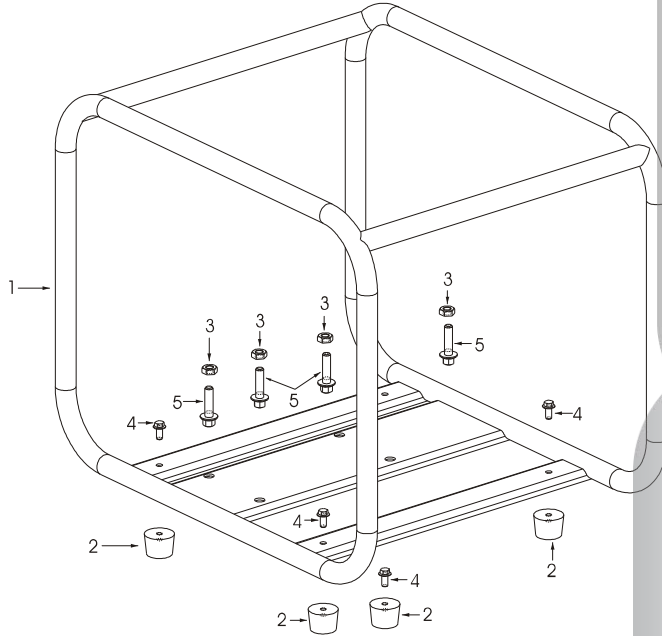
TMC PARTS	01-05-8050			
No.	Part No.	DESCRIPCION	Description	CANTIDAD REQUERIDA
1	8050-13-1	Tapa de bomba	Pump cover 2'	1
2	8050-13-2	Arandela	Washer Φ8	11
3	8050-13-3	Bulon	Bolt M8*20	7
4	8050-13-4	Arandela	Washer Φ8*12*1	4
5	8050-13-5	Bulon	Bolt M8*60	4
6	8050-13-6	Empaquetadura	Water seal ass.	1
7	8050-13-7	Chaveta	Flat key 4.78*4.78*12	1
8	8050-13-8	Rueda de Turbina	Impeller-Q	1
9	8050-13-9	Arandela	Washer Φ8*Φ16*1	1
10	8050-13-10	Bulon	Bolt 5/16-24UNF*40	1
11	8050-13-11	Turbina	Turbine Φ206*Φ4	1
12	8050-13-12	Oring	Pump body-ring Φ229*Φ3.5	1
13	8050-13-13	Oring	Turbine-ring Φ65*Φ6	1
14	8050-13-14	Cuerpo de Bomba 2''	Pump body 2'	1
15	8050-13-15	Valvula de retención	Rubber gasket, Triangle flange	1
16	8050-13-16	Tapa de Ingreso	Triangle flange 2'	1
17	8050-13-17	Bulon	Bolt M8*20	3
18	8050-13-18	Tuerca	Flange nut 2'	2
19	8050-13-19	Oring	Rubber gasket, Inlet and outlet pipe Φ58*Φ46*4	2
20	8050-13-20	Conector	Inlet and outlet pipe 2'	2
21	8050-13-21	Abrazadera	Pipe hoop 2'	3
22	8050-13-22	oring	Rubber plug-ring Φ32*Φ3.1	2
23	8050-13-23	Tapa purgue	Rubber plug	2
24	8050-13-24	Junta	Rectangular rubber gasket	1
25	8050-13-25	Bulon	Bolt M10*25	4
26	8050-13-26	Conector de salida	Pump elbow 2 inch	1
27	8050-13-27	Tamiz	Taper filter 2 inch	1



SOLICITAR AQUI

PARTS

01-05-8050 MOTOBOMBA



CARCAZA - FRAME PARTS

TMC PARTS No.	01-05-8050 Part No.	DESCRIPCION	Description	CANTIDAD REQUERIDA
1	8050-14-1	Carcaza	Frame	1
2	8050-14-2	Taco amortiguador	Frame absorber	4
3	8050-14-3	Tuerca	Nut M8	4
4	8050-14-4	Bulon	Bolt M6*12	4
5	8050-14-5	Bulon	Bolt M8*35	4



SOLICITAR AQUI

